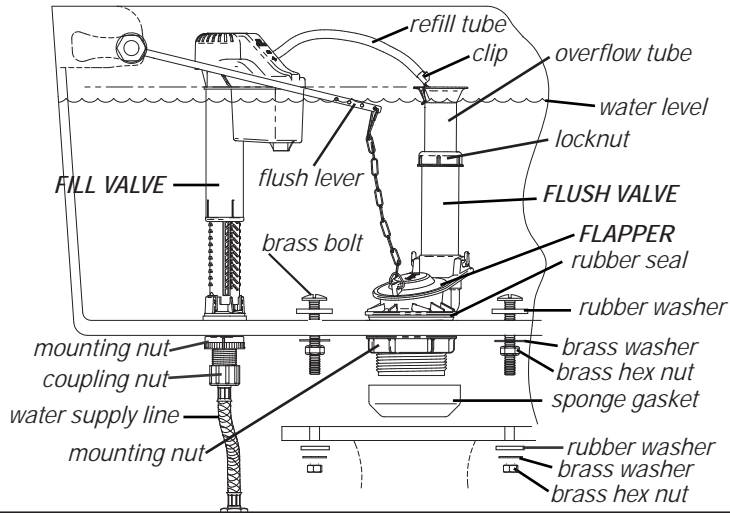


# Adjustable Flush Valve Kit (4030) Installation Instructions

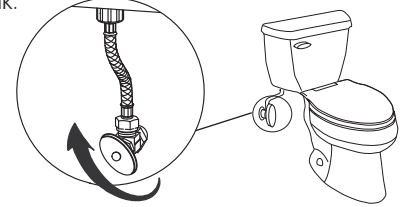


- Tools required:
- sponge
  - bucket
  - adjustable wrench or pliers
  - pipe wrench
  - ruler or tape measure
  - screw driver

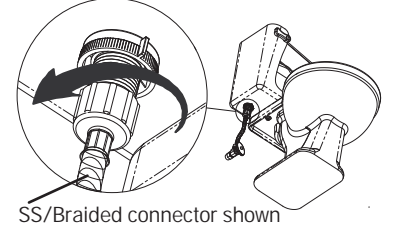
Save instructions for future reference.

## 1. Shut off water supply.

Flush toilet and sponge remaining water from tank.



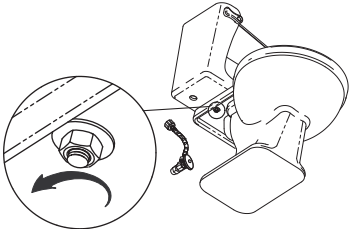
## 2. Disconnect water supply line under tank.



SS/Braided connector shown

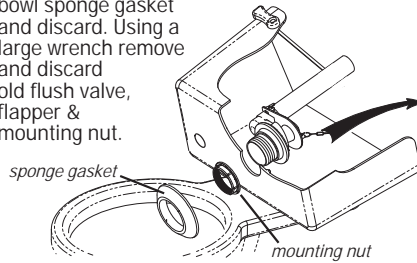
## 3. Unbolt tank from bowl.

Remove nuts, washers & bolts. Discard old parts. Lift off tank from bowl.



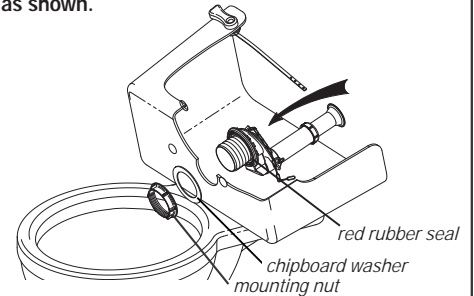
## 4. Remove old flush valve & flapper.

Remove old tank-to-bowl sponge gasket and discard. Using a large wrench remove and discard old flush valve, flapper & mounting nut.



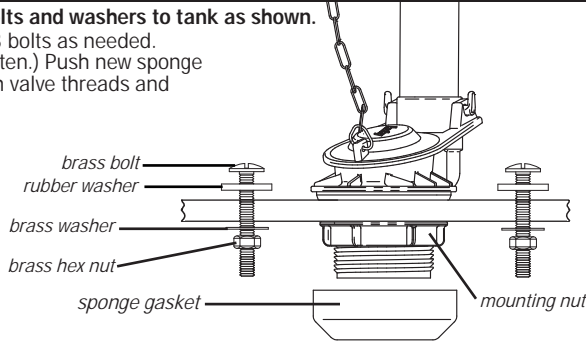
## 5. Install new flush valve as shown.

Don't forget to install flat chipboard washer against underside of tank. (This will reduce friction, making it easier to tighten plastic mounting nut by hand.) Hand-tighten mounting nut plus 1/4 turn max. (Do not over-tighten or tank may crack.)



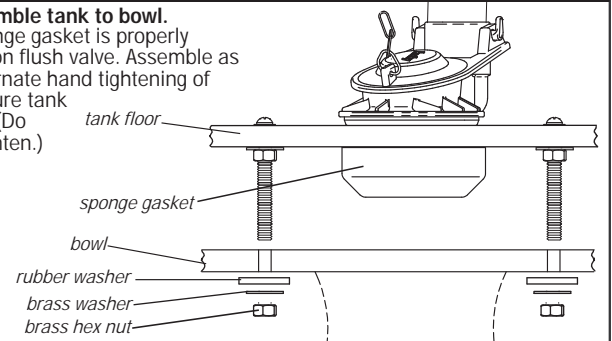
## 6. Assemble bolts and washers to tank as shown.

Use either 2 or 3 bolts as needed. (Do not over-tighten.) Push new sponge gasket over flush valve threads and mounting nut.



## 7. Reassemble tank to bowl.

Ensure sponge gasket is properly positioned on flush valve. Assemble as shown. Alternate hand tightening of nuts to ensure tank stays level. (Do not over-tighten.)

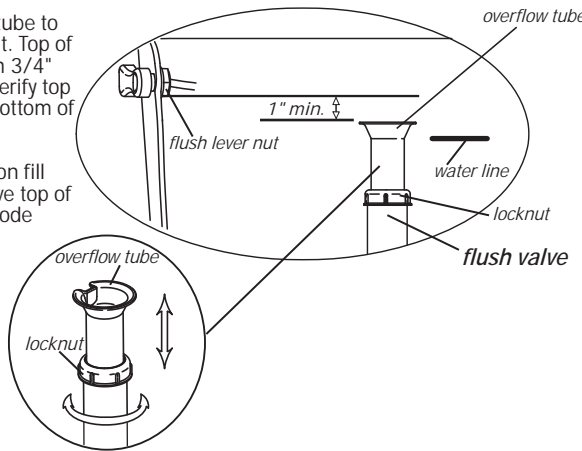


## 8. Adjust height of flush valve.

Loosen locknut and extend upper tube to proper height. Hand-tighten locknut. Top of flush valve should be no more than 3/4" above water line marked in tank. Verify top of flush valve is at least 1" below bottom of flush lever nut.

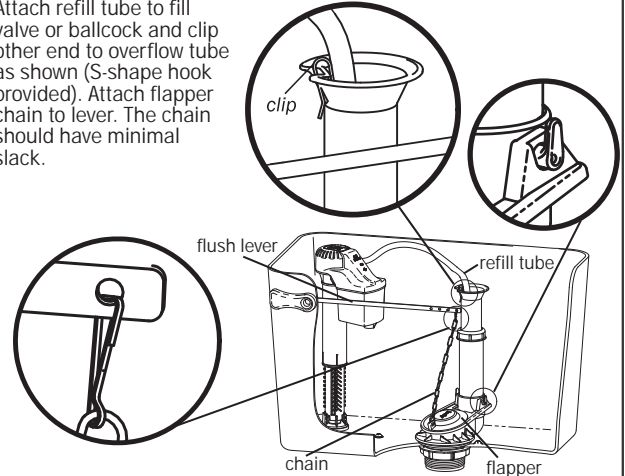
Note: Verify C/L line (critical level) on fill valve or ballcock is at least 1" above top of overflow tube. This is a plumbing code requirement.

Caution: If the top of the overflow tube in your toilet is higher than the flush lever opening, water could leak out.



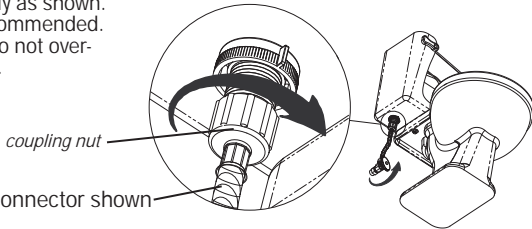
## 9. Attach refill tube and flapper chain.

Attach refill tube to fill valve or ballcock and clip other end to overflow tube as shown (S-shape hook provided). Attach flapper chain to lever. The chain should have minimal slack.

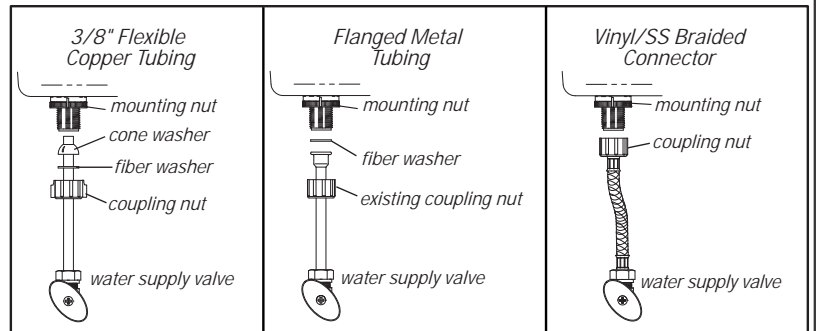


## 10. Connect water supply line and turn on water supply.

Connect water supply as shown. Pipe dope is not recommended. Hand-tighten only; do not over-tighten coupling nut.



SS/Braided connector shown



## 11. Check for leaks.

Flush toilet several times. Periodically check for leaks for several days following installation. Call us with any comments or questions.

## Future Troubleshooting Tips

**Problem:** Fill valve or ballcock turns on and/or continuously runs, and **water level rises above top of overflow tube**, spilling into overflow tube.

**Solution:** Replace fill valve or ballcock with Korky QuietFill Valve, Lavelle model #528.

**Problem:** Fill valve or ballcock turns on and off by itself or runs continuously (valve may hiss), **but water level in tank remains below top of overflow tube**.

**Solution:** Fill valve or ballcock is turning on or running due to a slow leak in the tank, most likely caused by a worn-out flapper. Replace flapper with one of Lavelle's premium Korky toilet flappers for optimum performance.

**Problem:** Toilet tank fills too slowly.

**Solution:** Confirm that water supply valve is open all the way, and there are no kinks in supply line. If problem persists, replace fill valve or ballcock with Korky QuietFill Valve, Lavelle model #528.

## Guarantee

The Korky™ Flush Valve and Flapper are made from engineered materials which resist harsh chemicals and toilet tank cleaners. After proper installation according to these instructions; if it fails within five years of purchase, return to Lavelle. It will be replaced at no charge.



©2005 Lavelle Industries, Inc.  
Lavelle Industries, Inc.  
665 McHenry Street  
Burlington, WI 53105  
800-LAVELLE  
www.korky.com  
LIT078 Rev 7/05